

axon'

CABLE & INTERCONNECT

www.axon-cable.com

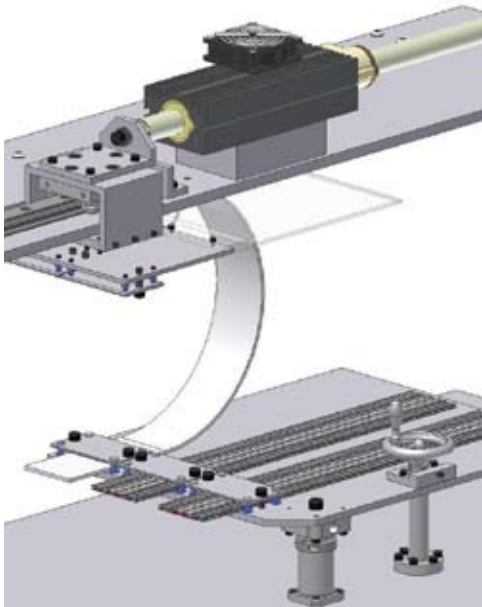


- CLEAN ROOM ROBOTICS
- MEDICAL AUTOMATION
- INDUSTRIAL AUTOMATION
- IC PACKAGE TEST HANDLERS
- SMT PICK AND PLACE MACHINES

Flextrack®

SELF SUPPORTING FLAT CABLES FOR THE AUTOMATION
AND ROBOTICS INDUSTRY

No more need for a cable carrier with FLEXTRACK®, the self supporting flat cables developed by AXON' for the automation and robotics industry. They meet the most demanding applications requiring tens of millions of flex cycles.



PART OF THE TEST EQUIPMENT DESIGNED BY AXON' CABLE

A HIGH FLEXIBLE FLAT CABLE

The flat configuration of the cable allows for :

- a better heat dissipation over round cables when the cable is fitted to equipment which can heat the cable,
- better flex life performance : over tens of millions of flex cycles,
- a low bend radius (> 25mm) : this allows for space saving inside the equipment.
- Maximum width of the cable : 85 mm.

A HIGH PERFORMANCE INSULATING MATERIAL

FLEXTRACK® flat cables are insulated with a CELLOFLON® film (expanded PTFE) patented by AXON' CABLE. This has the following advantages :

- high flexible and light cables,
- low insertion losses,
- no molecular contaminations, no particles, low outgasing, chemical resistance : FLEXTRACK® flat cables are suitable for clean rooms and vacuum environments,
- Temperature range : from -50°C to + 90°C dependent on the insulation.

CUSTOM DESIGNED HYBRID CABLES

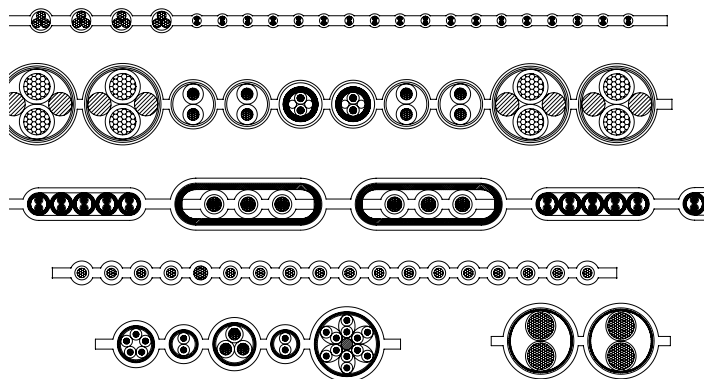
FLEXTRACK® cables are composite flat cables which can include single wires, twisted pairs, triads, quads, coaxial cables, power cables, fibre optics, etc, according to the customer's needs.

Wire bundles can be shielded for a better EMI protection. AXON' can terminate FLEXTRACK® flat cables with any connectors according to the customer's needs. FLEXTRACK® cables have been designed to work in the sense of length.

EXPERTISE IN RESEARCH AND PROCESS

AXON' CABLE offer not only custom designed cables but are also able to design equipment to test cable's flex life.

AXON' CABLE offer not only custom designed cables but are also able to test cable's flex life.



EXAMPLES OF FLAT CONFIGURATION